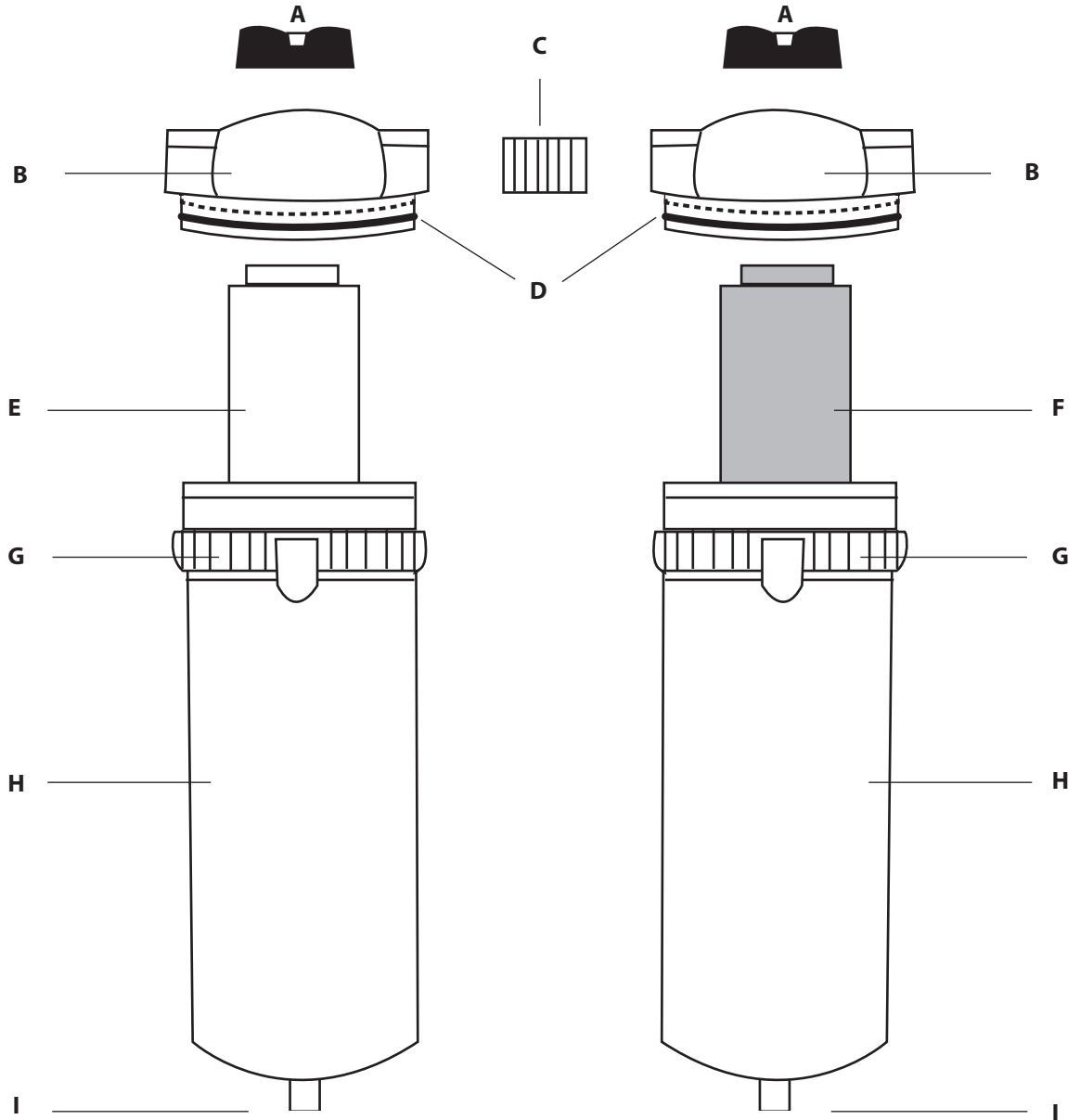


Apache A204Mi-B Parts Breakdown



Description	Part #	Description	Part #		
A	Pressure Differential Indicator	N32-W1-DPi	F	2nd Stage Replacement Element	3C-060
B	Head Assembly	WIL-059	G	Bowl Ring (only)	WIL-035
C	1/2" Nipple	MPF-002	H	Bowl Assembly w/Drain	N34-95-201
D	O-Ring	N32-95-257	I	Auto Drain	N32-95-979
E	1st Stage Replacement Element	3P-060		Mounting Bracket	BK-1



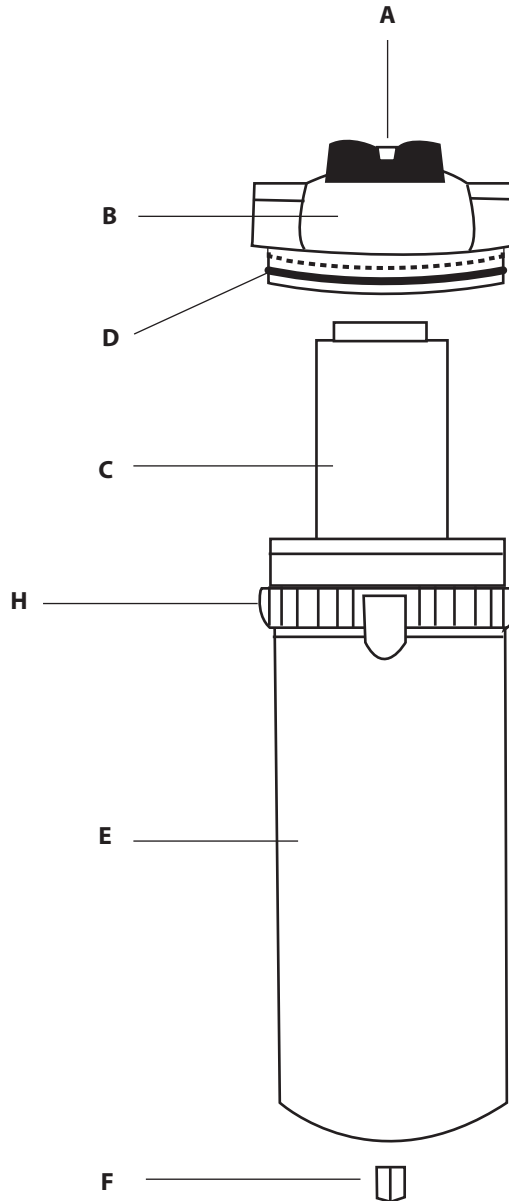
Reading Technologies, Inc

"Your Source for Dry Air!"™

Toll Free 1-800-521-9200

www.rti-pbe.com

C104i-B Parts Breakdown



Description	Part #	Description	Part #
A Differential Pressure Indicator	N32-W1-DPI	E Bowl Assembly w/Drain	N34-95-201
B Head Assembly	WIL-059	F Auto Drain	N32-95-979
C 1st Stage Replacement Element	3C-060	G Bracket	BK-1
D O-ring	N32-95-257	H Bowl Ring only	WIL-035



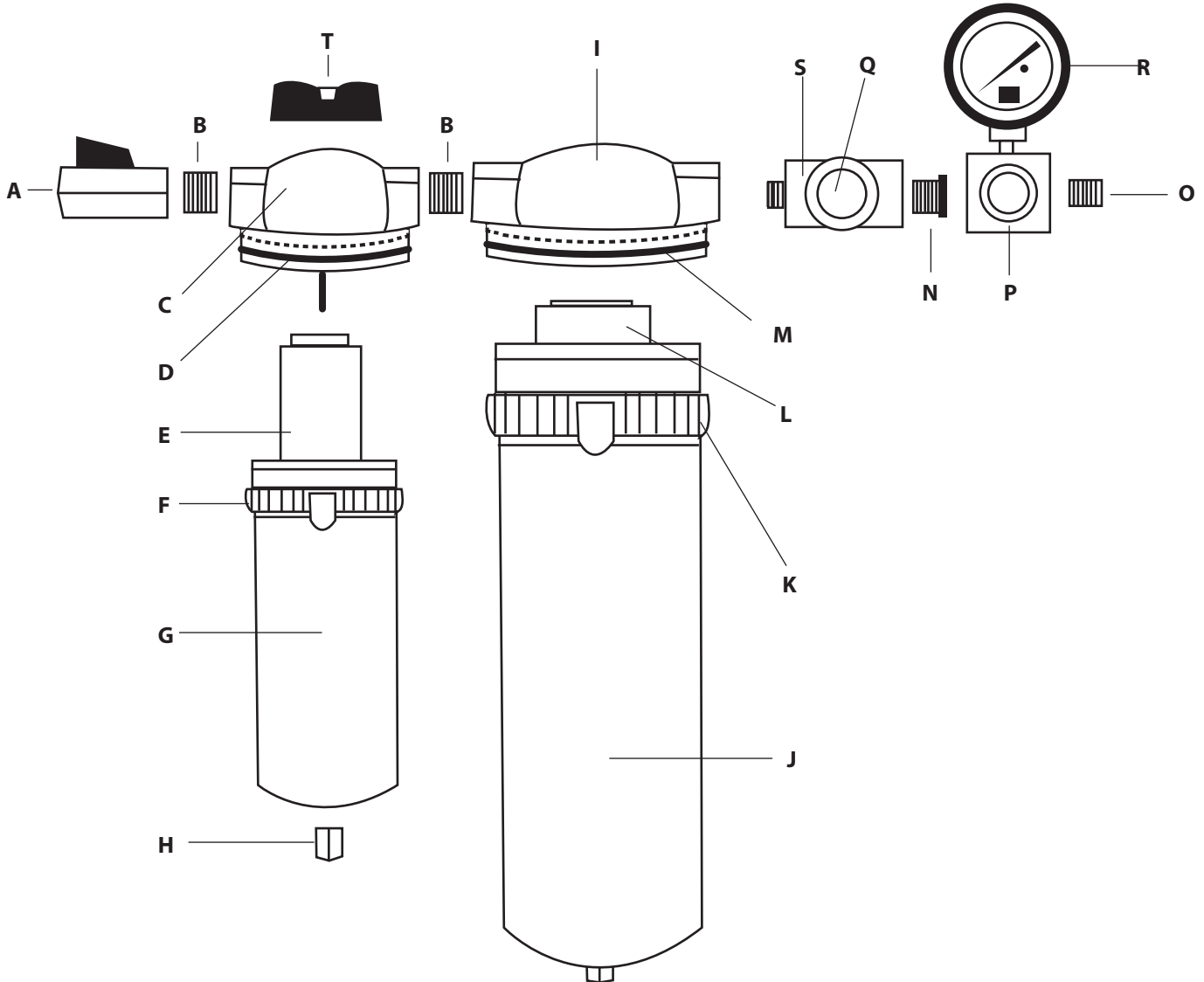
Reading Technologies, Inc

"Your Source for Dry Air!"™

Toll Free 1-800-521-9200

www.rti-pbe.com

E4000 Parts Breakdown



Description	Part #	Description	Part #
A 1/2" Ball Valve (Shut off)	BV-050	K 2nd Stage Bowl Ring (only)	WIL-013
B 1/2" Nipple	MPF-002	L Desiccant Cartridge	DE-401
C 1st Stage Head (NO Indicator)	WIL-040	M 2nd Stage O-ring	N32-95-256
C 1st Stage Head Assembly (w/Indicator)	WIL-059	N 1/2" to 1/4" Reducer	MPF-004
D 1st Stage O-ring	N32-95-257	O 1/4" Nipple	MPF-001
E 1st Stage Carbon Element	4P-060	P 1/4" Regulator	R79
F 1st Stage Bowl Ring (only)	WIL-035	Q Indicator Eye with Paper	WFA-008
G Bowl Assembly w/ Drain	N34-95-201	R Pressure Gauge 160 PSI	PG-160
H Auto Drain	N32-95-979	S Indicator Assembly (Moisture)	RTi-04-CK
I 2nd Stage Head Assembly	WIL-001M	T Pressure Differential Indicator	N32-W1-DPI
J 2nd Stage Bowl	N34-15-180		

P + R = RG25 Regulator & Gauge Assembly



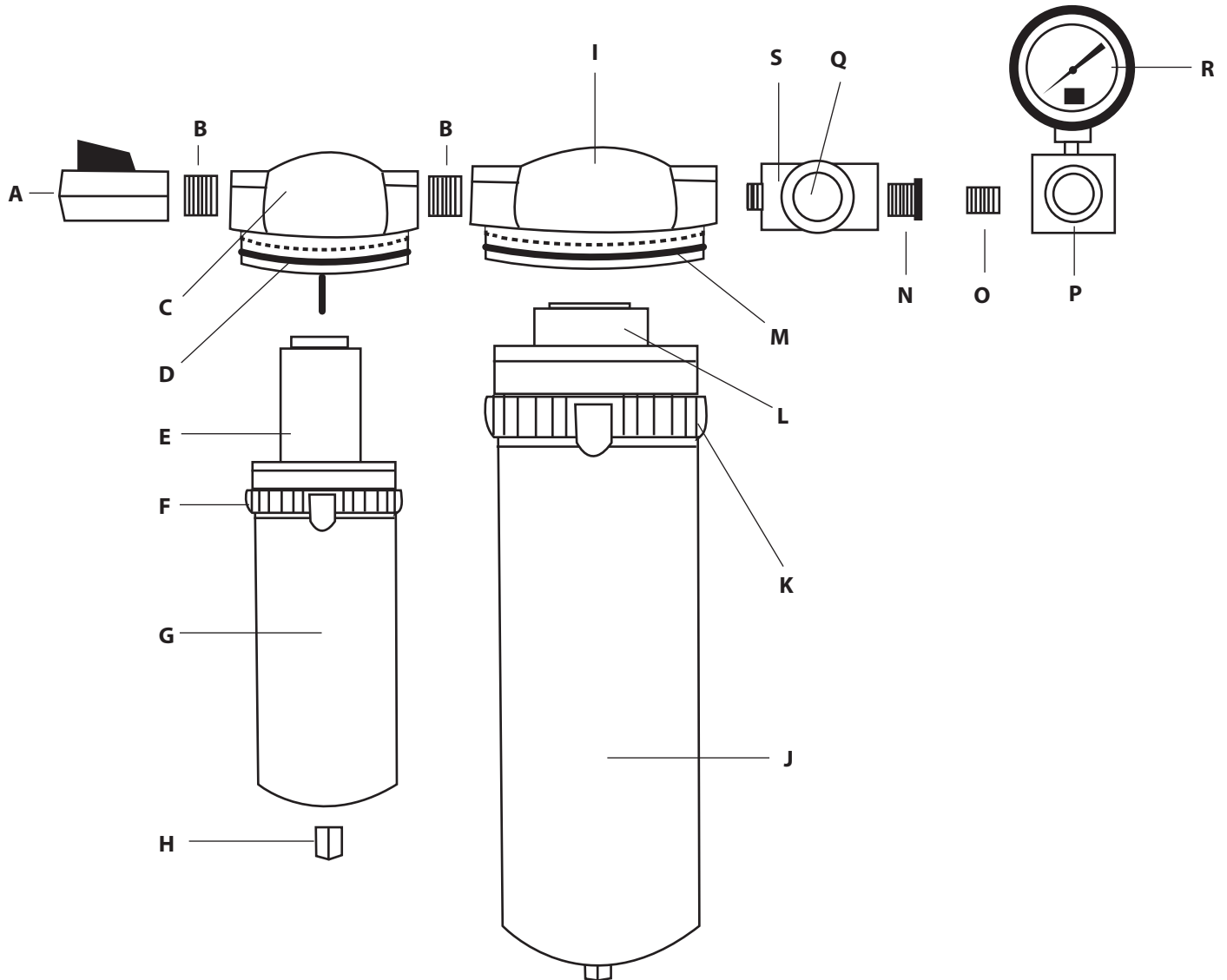
Reading Technologies, Inc

"Your Source for Dry Air!"™

Toll Free 1-800-521-9200

www.rti-pbe.com

EH4000-3R Parts Breakdown



Description	Part #	Description	Part #
A 1/2" Ball Valve (Shut off)	BV-050	K 2nd Stage Bowl Ring (only)	WIL-013
B 1/2" Nipple	MPF-002	L Desiccant Cartridge	DE-401
C 1st Stage Head (NO Indicator)	WIL-040	M 2nd Stage O-ring	N32-95-256
C 1st Stage Head Assembly (w/Indicator)	WIL-059	N 1/2" to 3/8" Reducer	MPF-021
D 1st Stage O-ring	N32-95-257	O 3/8" Nipple	MPF-006
E 1st Stage Carbon Element	4P-060	P 3/8" Regulator	R30
F 1st Stage Bowl Ring (only)	WIL-035	Q Indicator Eye with Paper	WFA-008
G Bowl Assembly w/ Drain	N34-95-201	R Pressure Gauge 160 PSI	PG-160
H Auto Drain	N32-95-979	S Indicator Assembly (Moisture)	RTi-04-CK
I 2nd Stage Head Assembly	WIL-001M		
J 2nd Stage Bowl	N34-15-180		



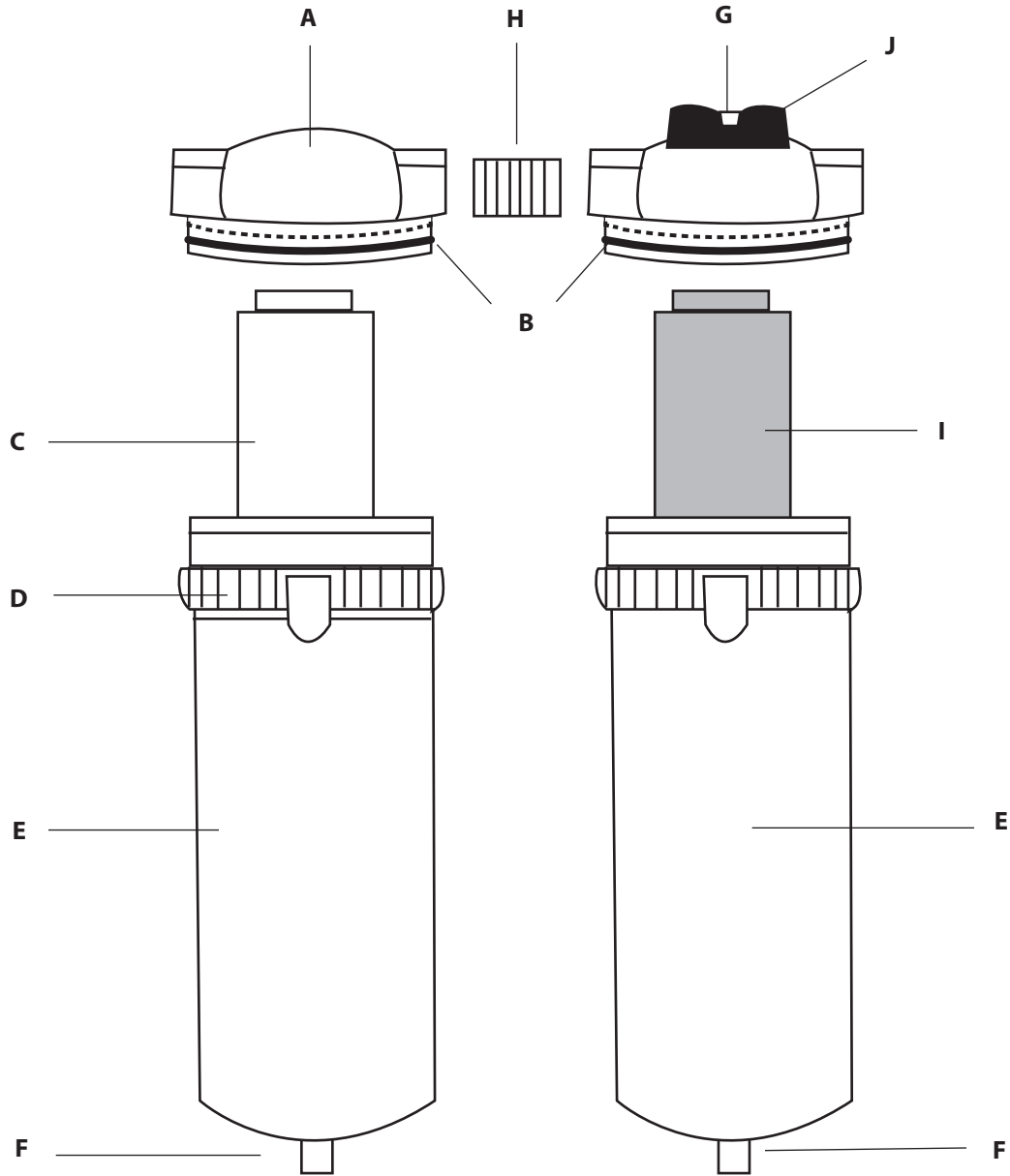
Reading Technologies, Inc

"Your Source for Dry Air!"™

Toll Free 1-800-521-9200

www.rti-pbe.com

EX208i Parts Breakdown



Description	Part #
A Filter Head Assembly	WIL-007
B O-ring for Bowl	N32-95-256
C Replacement Element	1P-150
D Bowl Ring (only)	WIL-013
E Bowl Assembly w/Drain	N34-15-178
F Auto Drain	N32-95-979
G Filter Head Assembly	WIL-065

Description	Part #
H 1" Nipple	MPF-008
I Replacement Element	3C-150
J Diff Pressure Indicator	N32-W1-DPi



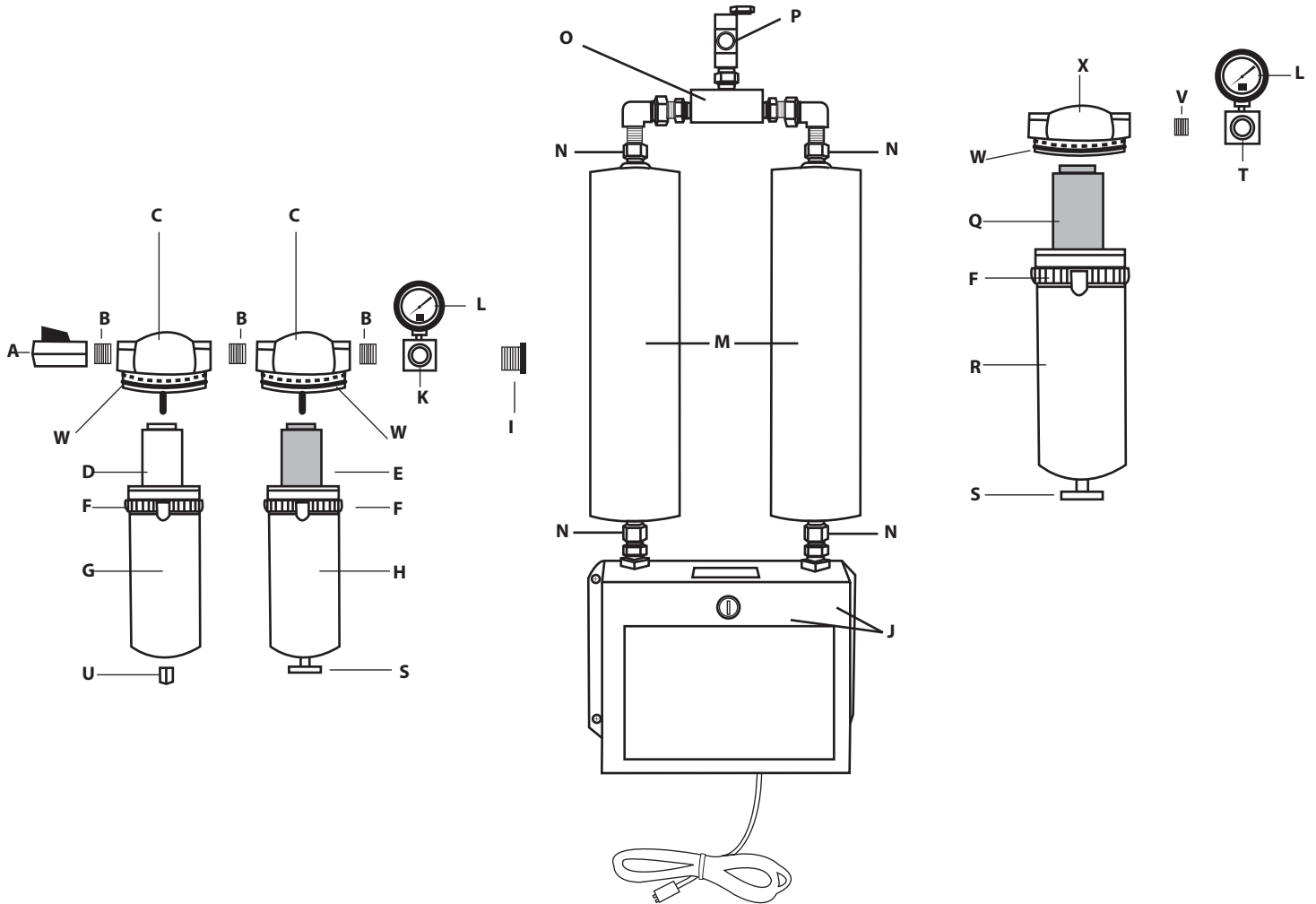
Reading Technologies, Inc

"Your Source for Dry Air!"™

Toll Free 1-800-521-9200

www.rti-pbe.com

PERF-25 Parts Breakdown



Description	Part #	Description	Part #
A 1/2" Ball Valve	BV-051	L Pressure Gauge	PG 160
B 1/2" Nipple	MPF-002	M Desiccant Tower	RTi-CAN-8
C Head Assembly	WIL-040	N Brass Fitting/Screen	RTI-FS-4
D 1st Stage Element	3P-060	O Brass Shuttle Valve	LTC-017
E 2nd Stage Element	3C-060	P Indicator Eye	WFA-008
F Bowl Ring (25/Final Filter)	WIL-035	Q Final Stage Element	3C-060
G 1st Stage Bowl w/Drain	N34-95-201	R Filter Bowl	N34-95-205
H 2nd Stage Bowl	N34-95-205	S Petcock Drain	PC-02
I Swivel Nut	-----	T 3/8" Regulator	RG-30
J Electric Valve	SY9540-3LZ-03T	U Auto Drain	N32-95-979
K 1/2" Regulator	NAR4000-N04	V 3/8" Nipple	MPF-006
		W Bowl O-ring	N32-95-257
		X Head Assembly	WIL-038



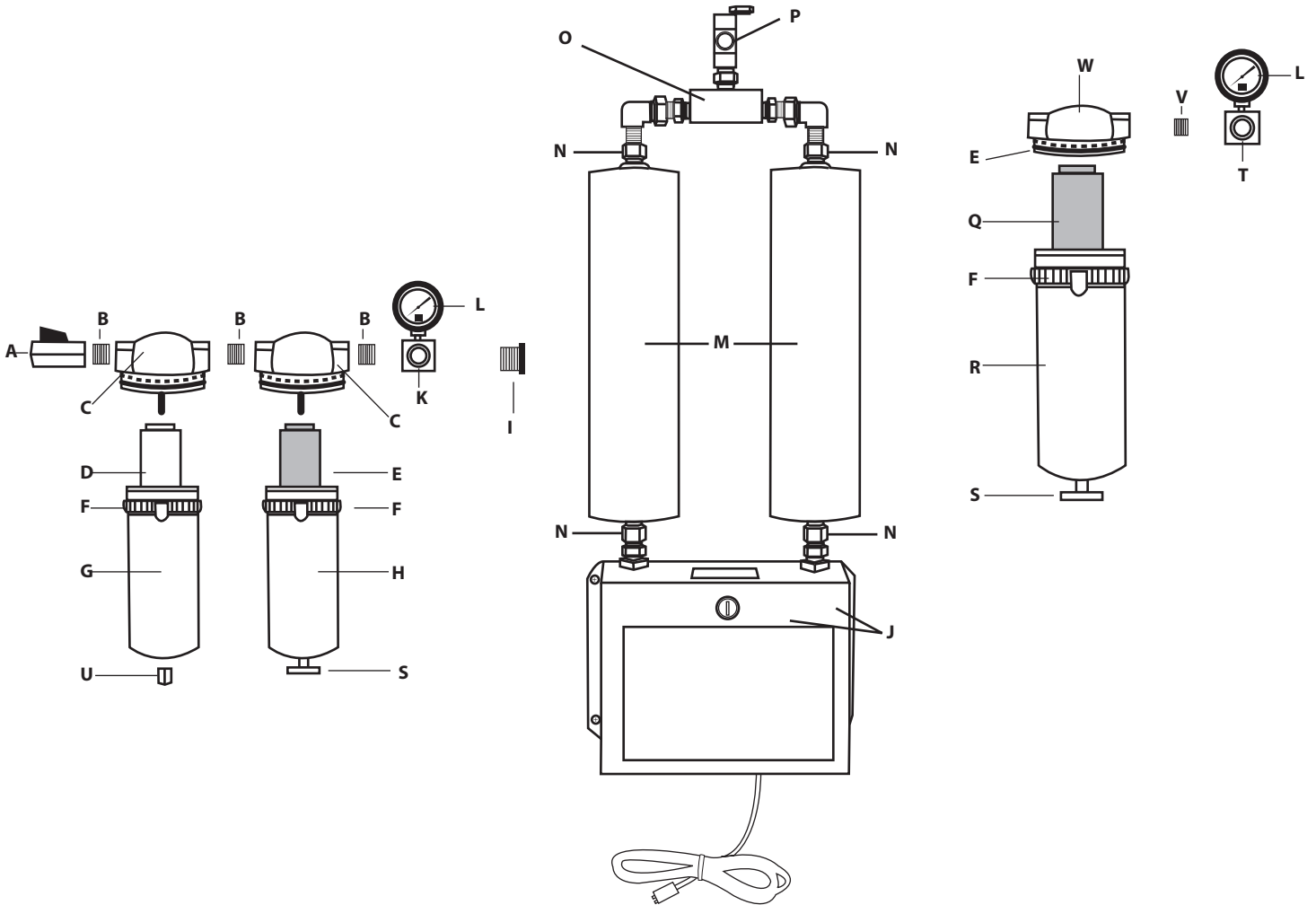
Reading Technologies, Inc

"Your Source for Dry Air!"™

Toll Free 1-800-521-9200

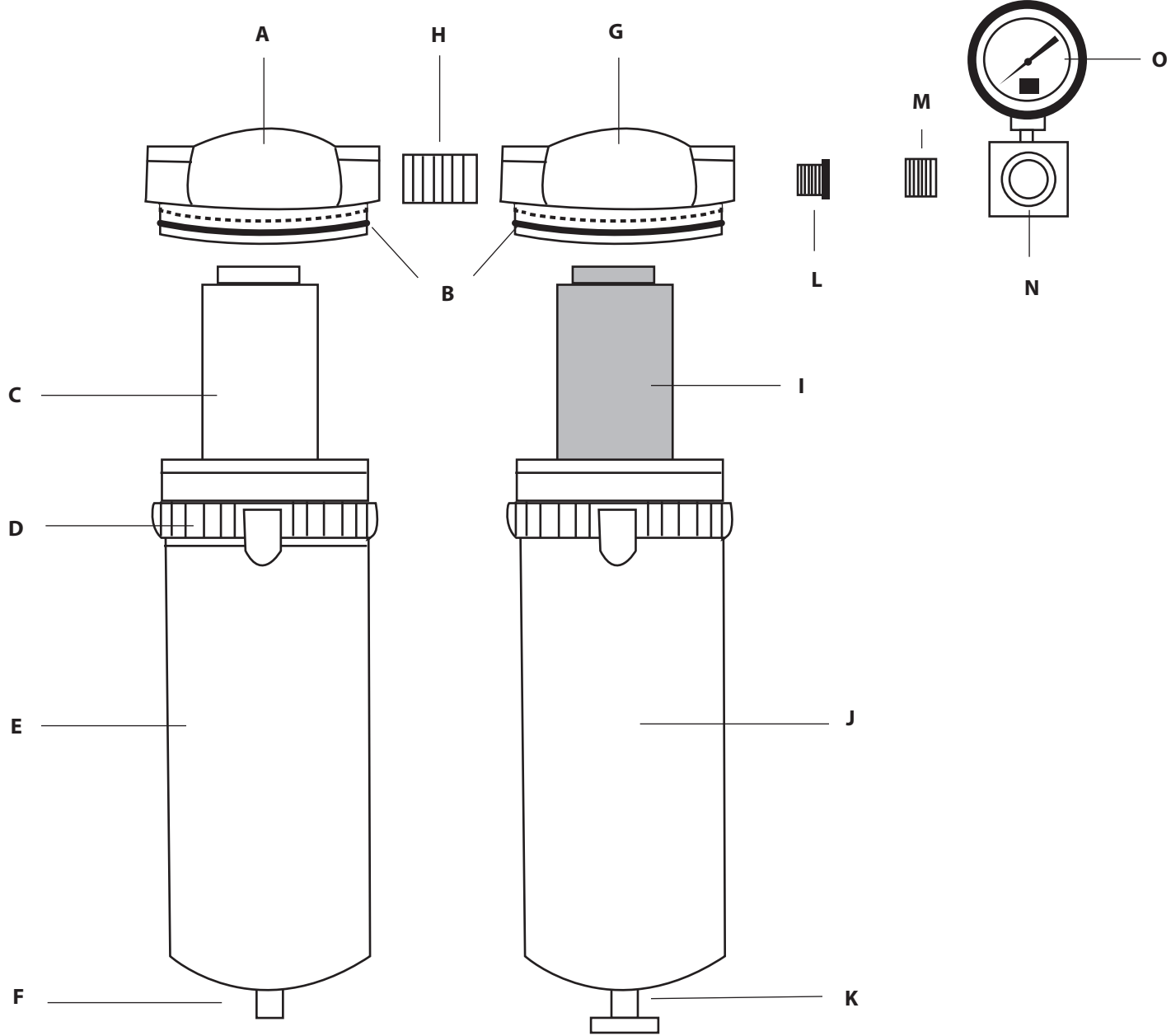
www.rti-pbe.com

PERF-50 Parts Breakdown



Description	Part #	Description	Part #
A 1/2" Ball Valve	BV-051	L Pressure Gauge	PG -160
B 1/2" Nipple	MPF-002	M Desiccant Tower	RTI-CAN-15
C Head Assembly	WIL-001	N Brass Fitting/Screen	RTI-FS-4
D 1st Stage Element	3P-090	O Brass Shuttle Valve	LTC-017
E 2nd Stage Element	3C-090	P Indicator Eye	WFA-008
F Bowl Ring	WIL-013	Q Final Stage Element	3C-060
G 1st Stage Bowl	WIL-012	R Filter Bowl	N34-95-205
H 2nd Stage Bowl	WIL-012	S Petcock Drain	PC-02
I Swivel Nut	-----	T 1/2" Regulator	NAR4000-N04
J Electric Valve	SY9540	U Auto Drain	N32-95-979
K 3/4" Regulator	NAR5000-N06	V 3/8" Nipple	MPF-006
		W Head Assembly	WIL-040

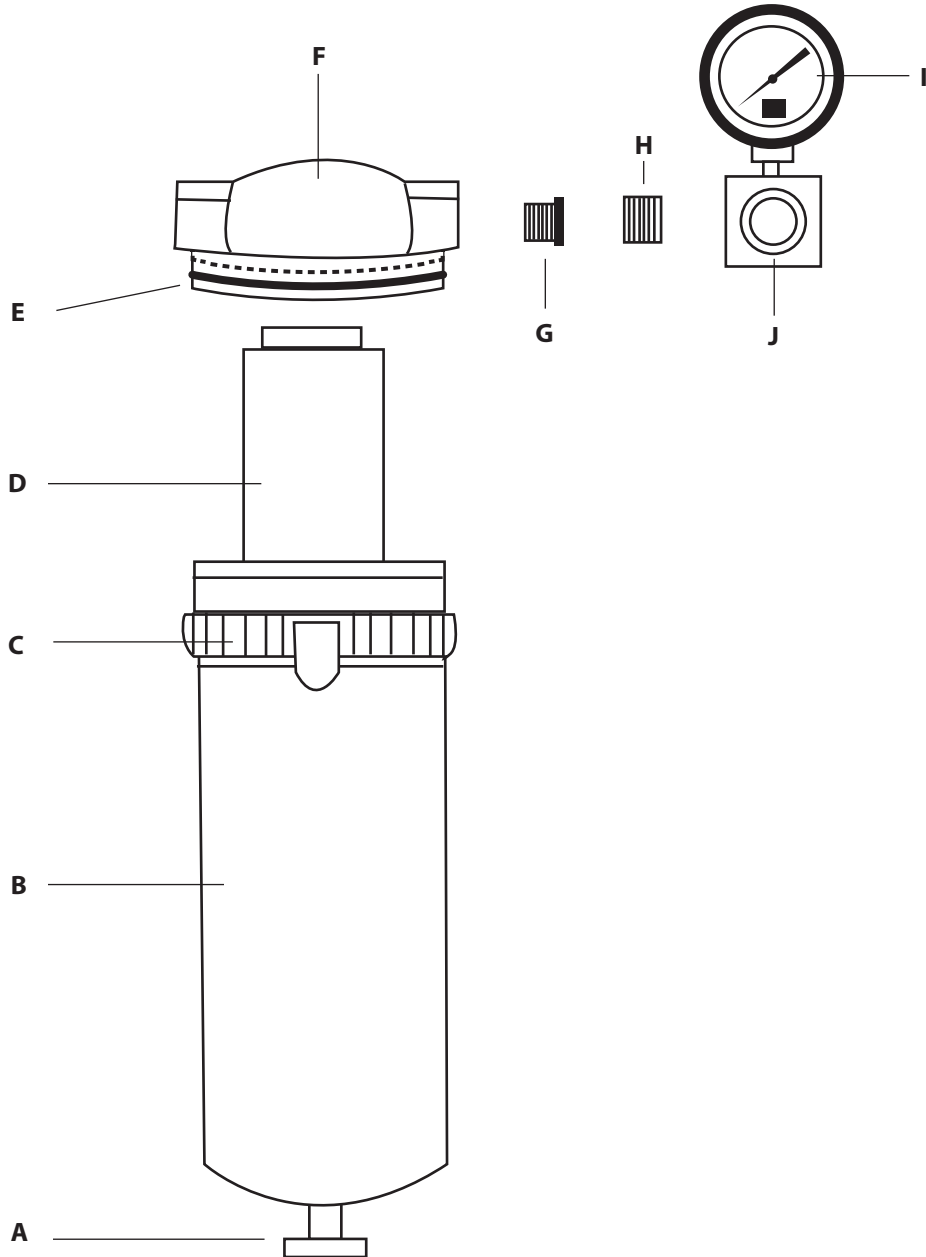
Stealth 6060B Parts Breakdown



Description	Part #
A Filter Head Assembly	WIL-040
B O-ring for Bowl	N32-95-257
C Replacement Element	6960-1
D Bowl Ring (only)	WIL-035
E Bowl Assembly w/Drain	N34-95-201
F Auto Drain	N32-95-979
G Filter Head Assembly	WIL-040
H 1/2" Nipple	MPF-002

Description	Part #
I Replacement Element	3C-060
J Bowl Assembly	N34-95-205
K Manual Drain Petcock	PC-02
L 1/2" to 3/8" Reducer	MPF-021
M 3/8" Nipple	MPF-006
N Regulator & Gauge	RG30
O Pressure Gauge	PG-160
Mounting Bracket	BK-1

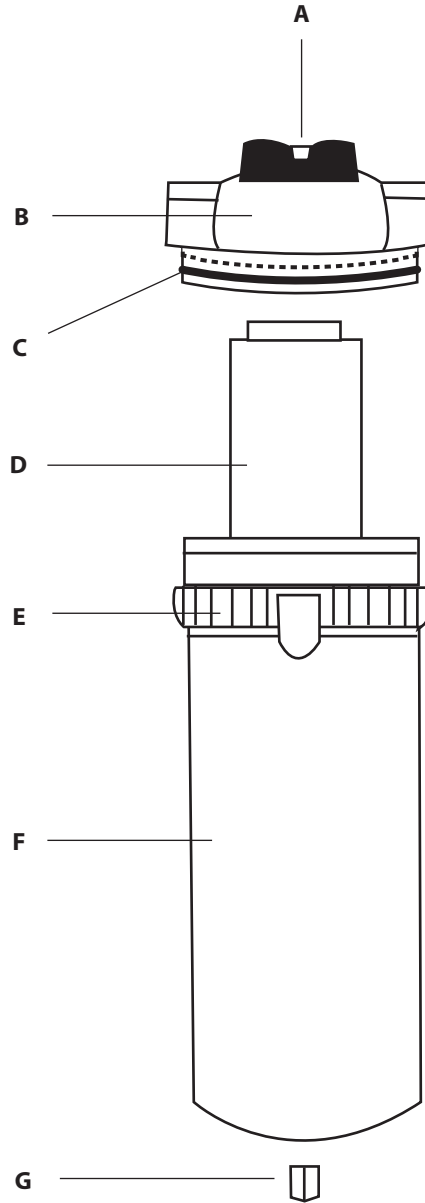
Stealth 6950B/6960B Parts Breakdown



Description	Part #	Description	Part #
A Manual Drain Petcock	PC-02	F Filter Head Assembly	WIL-040
B Bowl Assembly	N34-95-205	G 1/2" to 1/4" Reducer	MPF-004
C Bowl Ring (only)	WIL-035	H 1/4" Nipple	MPF-001
D Replacement Element 6950	6950-1	I Pressure Gauge 160 PSI	PG-160
D Replacement Element 6960	6960-1	J Regulator	R79
E O-ring Bowl	N32-95-257	Mounting Bracket	BK-1

I + J = RG25 Regulator & Gauge Assy

Vordex V104i-B Parts Breakdown



Description	Part #	Description	Part #		
A	Differential Pressure Indicator	N32-W1-DPi	E	Bowl Ring (only)	WIL-035
B	Head Assembly	WIL-059	F	Bowl Assembly w/ Drain	N34-95-201
C	O-ring	N32-95-257	G	Auto Drain	N32-95-979
D	1st Stage Replacement Element	3P-060		Mounting Bracket	BK-1